



## Parabolic antenna JRMB - 900 -10/11Ra

Antenna JRMB – 900 – 10/11Ra is designed for microwave links at the frequency bands 10 and 11 GHz. It has deep reflector dish and massive holder which allows precise adjustment in both directions. Whole antenna system with bracket JDMW-900 has extreme wind stability.

### Electrical parameters:

<b>Frequency range</b>	10.1 – 11.7 GHz
<b>Gain – Low band</b>	37.0 ± 0.5 dBi
<b>Gain – High band</b>	37.5 ± 0.5 dBi
<b>Side lobe level</b>	≤ 15 dB
<b>Front to back ratio</b>	≥ 47 dB
<b>Beamwidth<sub>-3 dB</sub></b>	2.3°
<b>Polarization</b>	Vertical / Horizontal
<b>Return loss (VSWR)</b>	≥ 18 dB ( ≤ 1,3)

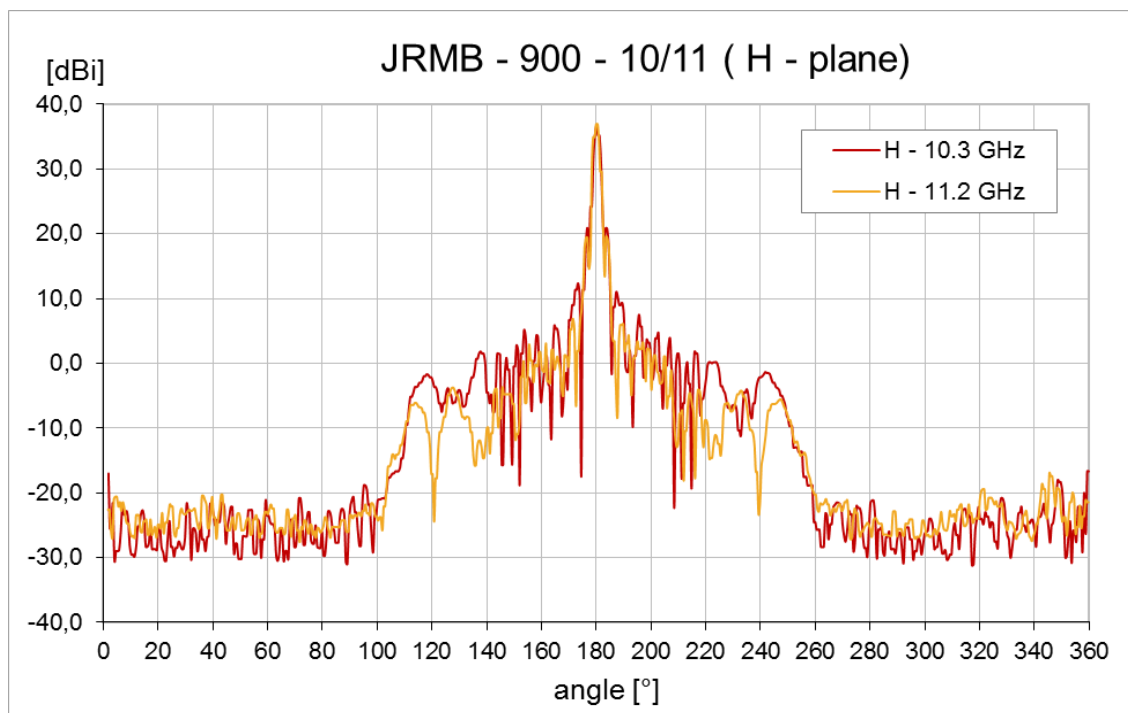
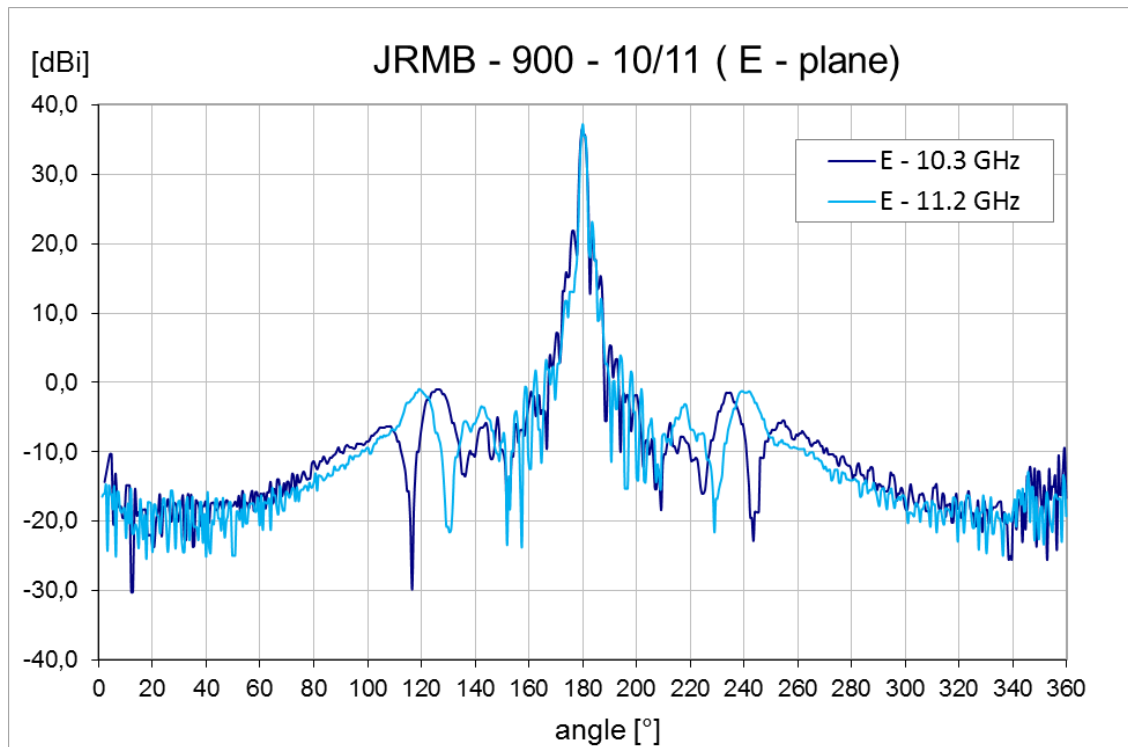
### Mechanical parameters:

<b>Parabola</b>	Aluminium alloy
Size	Ø 900 mm
Depth	331 mm
<b>Cover</b>	UV steady plastic ABS
<b>Input / output</b>	Circle waveguide 19 mm
<b>Installation for mast</b>	Ø 40 - 120 mm
<b>Operating wind load</b>	140 km/h
<b>Survival wind load</b>	210 km/h
<b>Weight of antenna</b>	11.9 kg (26.23 lbs.)
<b>of bracket</b>	4.3 kg (9.48 lbs.)
<b>Shipping dimensions</b>	1000 mm x 1000 mm x 490 mm
<b>Waveguide + fixing of the microwave unit</b>	Racom compatible

The antenna is supplied together with a bracket that allows easy mounting on a mast. Bracket can be installed separately on the mast. Subsequently, you can simply hang up the antenna with microwave unit into it. We recommend mounting on the mast with minimal Ø 70 mm in the areas with the occurrence of the adverse weather conditions. Bracket allows fine setting elevation (of gradient) and azimuth ± 20°. It is possible to mount to right and left side.

# Parabolic antenna JRMB - 900 - 10/11Ra

## Measurements of radiation pattern:



## Parabolic antenna JRMB - 900 -10/11Ra

### Outline:

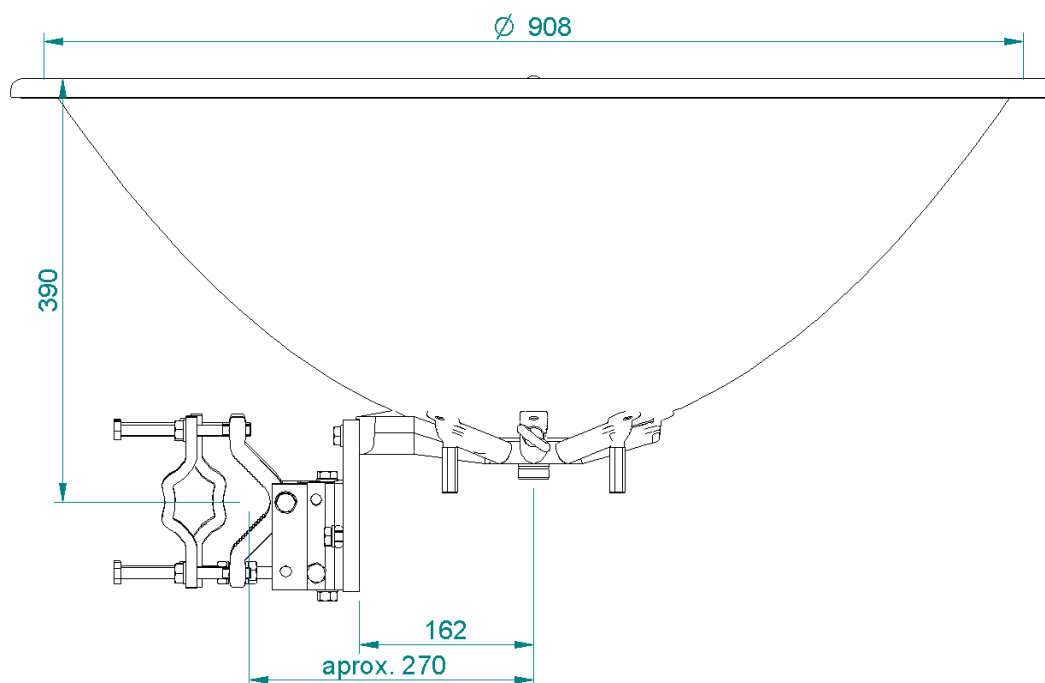


Fig. 1 Antenna dimensions

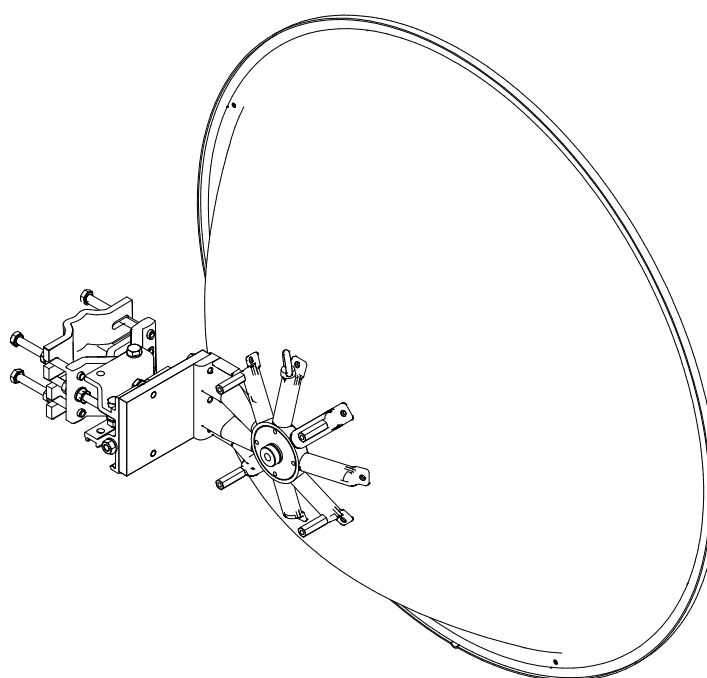


Fig. 2 Antenna with massive holder (back side)